

BEKO

BKK 2168

**Hairdryer with
Ionizer Technology**

User's Manual



This product has been produced in environmentally friendly, modern facilities

Dear customer,

We would like our product, which is manufactured in modern facilities and which has been subject to detailed quality control process, to provide you with the highest productivity. Therefore, we would like you to read this manual thoroughly before you start using the product

and we would like you to keep it as a reference.

BEKO



CONTENTS



Part 1 : Safety Warning / 3



Part 2 : Technical Aspects of
your machine / 4



Part 3 : Using your machine / 5 - 8



Part 4 : Maintenance and Cleaning / 9

Part 1: Safety Warning



Please read the user's manual carefully before using your hairdryer and keep the manual for future reference. If you give the hairdryer to a friend please give the user's manual also.

Take out all parts of the product from the box before use. Do not use hairdryer if accessories are missing, broken or damaged and make sure that the product is working before throwing away the packing box.

Do not use your hairdryer for any other purpose that's not mentioned in this manual.



Do not use your hairdryer in the bathroom shower or bath tube with water. Do not place your hairdryer on wet surfaces or material. Do not hold with wet hands.

When the hairdryer is used in a bathroom, unplug it after use since the proximity of water present a hazard even when the hairdryer is switched off.



When the hairdryer is not used, make sure that the on/off switch is closed and in "0" position and unplug the product. For additional protection the installation of a residual current device (RCD) with a rated residual operating current not exceeding 30mA is advisable in the electrical circuit supplying the bathroom.



Do not use any other accessories other than the parts given with the hairdryer. After use leave the product for cooling.



Do not use the hairdryer if it is broken, if the cord or plug is damaged. Hair spray, spray gel all include flammable substances. Do not spray your hair when the product is on.



The hairdryer has thermostat for your own safety and to protect the product itself. In case that the rear filter cover or the airflow in the front (may be set against the head) is blocked the product will automatically turn off because of the overheating. After the rear filter is opened and the product gets cooler the hairdryer will start working. Make sure that the rear filter cover is not blocked with dust, hair or similar materials. Clean the product as shown in Manual - Parts 4.



When your children use the hairdryer, give information to your child about security warnings. Do not let small children to use the hairdryer.



Part 2: Technical Aspects of Your Machine

- 1 Body Complete
- 2 Rear Filter
- 3 Rear Filter Cover
- 4 On/Off - Speed Setting
- 5 Heat Setting
- 6 Cool Shot
- 7 Ionizer (Included in the body)
- 8 Hanging Loop
- 9 Supply Cord
- 10 Air Concentrator
- 11 Diffuser

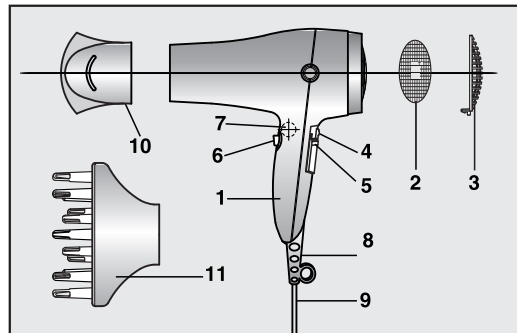


Figure 1

Power	: 2000 W
Voltage	: 230 V ~, 50 Hz.
Current	: 10 A
Cable length	: 1.90 m
Blow out temperature	: 95°C (5 cm distance under 24°C)
Air flow	: 1.40 m ³ / minute
Isolation class	: II
Water penetration class	: Normal
Type	: Hand use / Automatic thermostat

Note: The values indicated on the indicators of the product or on other printed documents that are provided with the machine are obtained at laboratory surroundings according to related standards. These values may change according to usage of the machine and the conditions of the environment in which the machine is used.



Part 3: Using Your Machine

WARNING: Follow the Security Warnings in Part 1.

How to operate

There are 3 switches on your hairdryer for SPEED, HEAT and COOL SHOT setting.

On-Off / Speed Setting (Figure 1/4 Component)

The switch has 3 positions.

- 0 Turn Off
- 1 Normal
- 2 Fast Blowing

For strong, thick hair choose position 2. For fine hair and during style setting use position 1. Turn off your hairdryer by setting the switch to "0" position. (Figure 2)

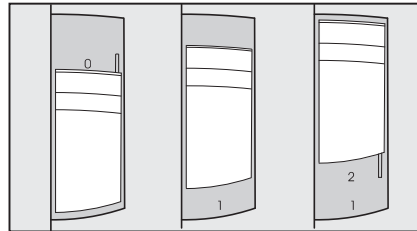


Figure 2

Heat Setting (Figure 1/5 Component)

The switch has 3 positions.

- 0 Cool
- ⌞ Warm
- ⌘ Hot

For quick drying choose position (⌘)

For style setting choose position (⌞)

After style setting to smooth the hair choose cool position (0).

(Figure 3)

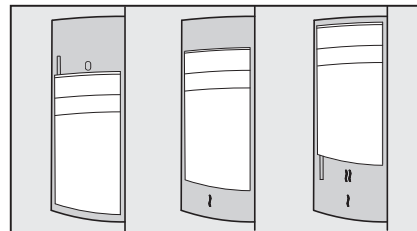


Figure 3

Cool Shot

Blows out cool air when it's pressed in. When released the cool shot comes out and the hairdryer blows out air according to the heat position. (Figure 1/6. Component)



Part 3: Using Your Machine

Ionizer

Ionizer emits millions of charged particles (called ions) that bond to your hair, breaking down moisture molecules.

The extraordinary ion therapy completely dries and moisturizes your hair.

This super efficient drying method add, softness and body with natural shine and manageability.

Ionizer disperses negative ions to eliminate frizz and result in smooth hair.

Featuring of ion technology, gives less harm to hair with very little heat.

The best of all the ions places in the hair and conditions your hair (Figure 4)

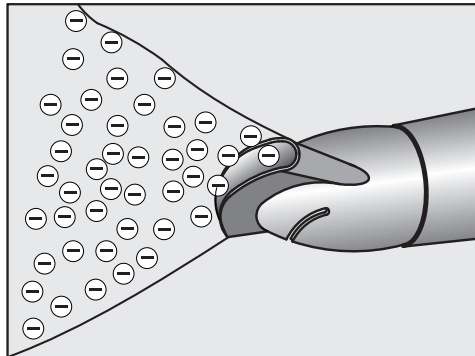


Figure 4



Part 3: Using Your Machine

Drying and Style setting

Dry your hair with a towel after shower. Take out the air concentrator for quick drying (Figure 5) and set the switch to FAST (2) and HOT position.

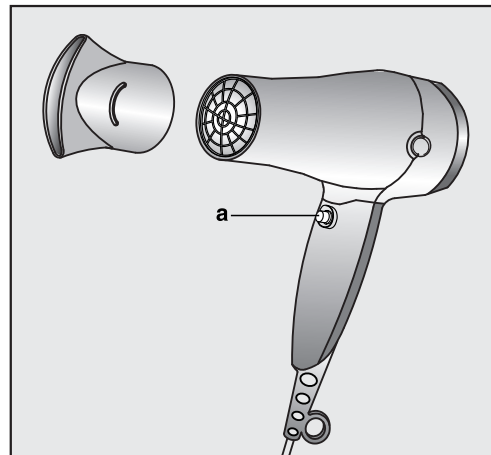
Use the accessories to set style.

Set the switch to NORMAL (1) position before your hair gets dry.

AIR CONCENTRATOR (Figure 5)

For faster and more easy style setting, use the air concentrator which condense the air at the target area.

While making straight hair and styling (e.g. with round brush), if you apply cold air using cool shot after ~ 15 seconds of warm air, you will have a more long lasting style. Cool Shot function (a) when released, the cool shot comes out and the hairdryer automatically blows out air according to the heat setting position.



Resim 5

Part 3: Using Your Machine



DIFFUSER (Figure 6)

Put on the diffuser to give a natural look and dry your hair with perm, starting from the origins. After using an accessory, wait for cooling before taking off from the hairdryer or take off with the help of a dry towel. Turn off your hairdryer after using. Set the on/off switch in "0" position.

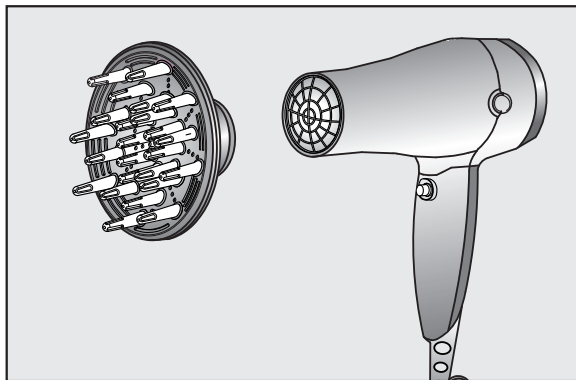


Figure 6

Do not wrap the supply cord around the hairdryer.

If you find any damage on the supply cord contact with the authorized technical service.



Part 4: Maintenance and Cleaning

- When the hairdryer is not used and before cleaning turn off and unplugged the product and leave for cooling.
- Do not ever wash your hairdryer. Clean the outcover with a soft, damp piece of cloth. Do not use substances which may damage the product.
- Clean the rear filter after a while of use. Rear filter is fixed to the body with a special sliding bar system. Pull back the lock finger at the bottom of the rear filter cover and take out the rear filter cover and then the filter. Clean the dirt on the filter and filter cover with water. Take out hairs. Before assembling to the body again make sure that it is completely dry. Do not ever run the hairdryer without drying the filter and filter cover. Place the filter to its housing. Place the filter slot to filter slot housing on the top of the rear filter cover. Push in the filter lock at the bottom of the rear filter cover and put on the cover. (Figure 7)
- Do not use your hairdryer close to the bath tube, basin or any other vessel with water.

Maintenance

Switch off the product after use. Unplug and leave for cooling.

Your product has a special desinged hanging loop appropriate maintenance (Figure 1 / Part No.7)

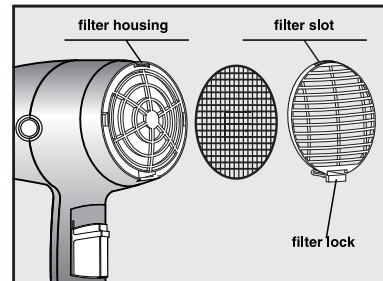


Figure 7